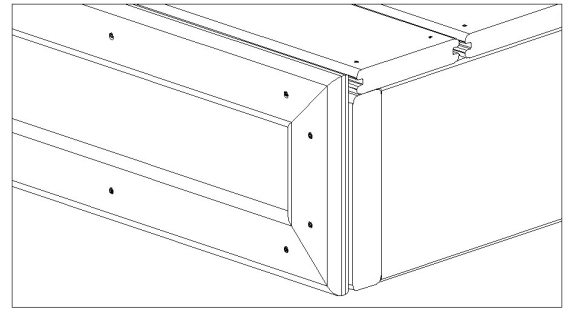
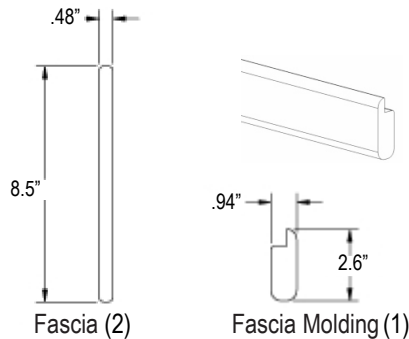
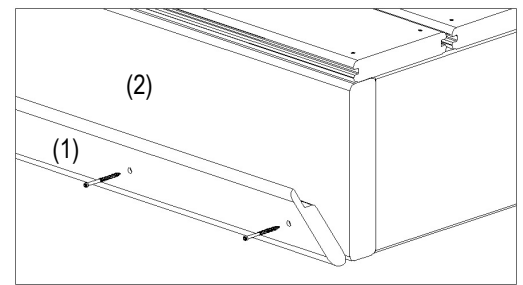


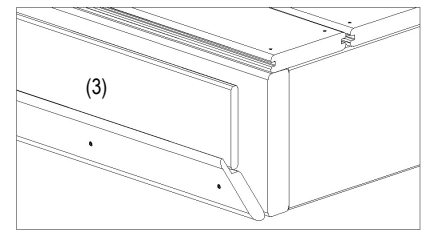
# Fascia and Fascia Molding Installation Guide



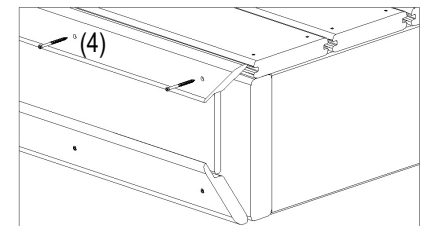
**Step 1:** Measure and cut fascia molding to the correct length, pre-cut 45° angles on corners. Pre-drill countersunk clearance hole on center of the first Rhino Deck Fascia Molding (1) (approx 1 1/4" from edge) with 12" spacing. Align the solid side of the Rhino Fascia Molding to be flush with the bottom of the deck rim board. (2) Note that the Rhino Fascia Molding notch cut out is facing up and in towards the deck rim board. Screw down every 12" at pre-drilled locations.



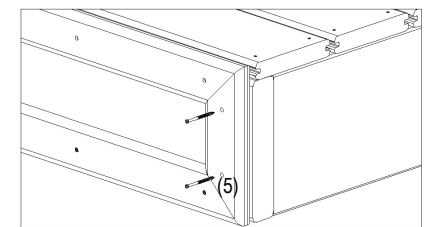
**Step 2:** Place Rhino Deck Fascia Board (3) into the notch cut out on the bottom Fascia Molding. Mark the cutting line on the Fascia Board so that the cutting line is 2 1/8" away from the top of the Rhino Deck boards. Remove Fascia board and cut at the marked line. Insert Fascia Board back in place.



**Step 3:** Pre-drill countersunk clearance hole on the center of the second Rhino Deck Fascia Molding (4) with 12" spacing. Align the solid side of the Rhino Deck Fascia Molding flush with the top of the Rhino Deck board. Note that the Rhino Deck Fascia Molding cut out is facing down and toward the Rhino Deck Fascia Board. Screw down every 12".



**Step 4:** Pre-drill TWO countersunk clearance holes on the two Rhino Deck Fascia Molding ends (5) (approx 1 1/4" from edge).



When fascia board/molding runs are longer than 8' you must use required gapping:

Gapping: Install at the mean temperature of your geographical area. The temperature of composite lumber should be at least 45° F at the time of installation. This is not the same as air temperature. For board ends allow 1/16" for every 20° F difference between installation temperature and your hottest average temperature. Regardless of temperature a 1/16" minimum gap is required. Failure to do so will void all warranties and liabilities.